

**YUAN**

**PD5A0 HDV**

**User Manual**

**TABLE OF CONTENTS**

---


<b>1. PRODUCT INTRODUCTION.....</b>	<b>3</b>
1.1. PRODUCT BRIEF .....	3
1.2. SPECIFICATION.....	3
<b>2. HARDWARE INSTALLATION.....</b>	<b>5</b>
2.1. PACKAGE CONTENTS .....	5
2.2. CONNECTION DIAGRAM.....	5
2.3. PRECAUTION.....	5
2.4. USB 2.0 DONGLE .....	6
<b>3. SOFTWARE INSTALLATION (STANDARD DEVICE).....</b>	<b>7</b>
3.1. SUPPORT OS.....	7
3.2. DRIVER INSTALLATION.....	7

1. PRODUCT INTRODUCTION

1.1. Product Brief

PD5A0 HDV is a high-quality, high-performance capture device which is specially designed for high-definition video capture applications. It supports up to 1 channel of high-definition, 1080p30 video from HDMI or VGA or CVBS or S-video or YPbPr video source and 1 x HDMI embedded audio or a pair of RCA audio source. With hardware support, PD5A0 HDV can record live video from high-definition signal sources into H.264 files via USB 2.0.

1.2. Specification

<b>Model</b>	PD5A0 HDV
<b>Max. FPS</b>	1920x1080p @60/50fps in → 1920x1080p @30/25fps out
<b>Recording Mode</b>	Hardware Compression, Real-Time Mode
<b>Product photo</b>	
<b>Dimension</b>	L:29.4mm x W:65.7mm x H:14mm
<b>Interface</b>	USB 2.0
<b>Video Input</b>	1 x HDMI
<b>Optional Video Input</b>	1 x DVI-I, 1 x CVBS , 1 xS-video, 1 xYPbPr, 1 xVGA
<b>Display Video Format</b>	YV12,NV12,YUY2,RGB24,RGB32
<b>Recording Video Format</b>	H.264 (Hardware Compression)
<b>Recording Video Resolution</b>	1920x1080p @30/25/24fps 1920x1080i @60/50fps 1280x720p @60/50fps 1280x1024p @60fps 1280x960p @60fps 1024x768p @60fps 800x600p @60fps 640x480p @60fps 720x480p @60fps 720x576p @50fps 720x480i @60fps 720x576i @50fps
<b>Audio Input</b>	1 x HDMI Embedded audio A pair of RCA audio connector(Through optional AV

	cabl)
<b>Audio Format</b>	Stereo / 16-bit / 32000 ~ 48000Hz
<b>Multiple Cards</b>	∞
<b>SDK</b>	VC++ / C# / .NET / VB / V4L2

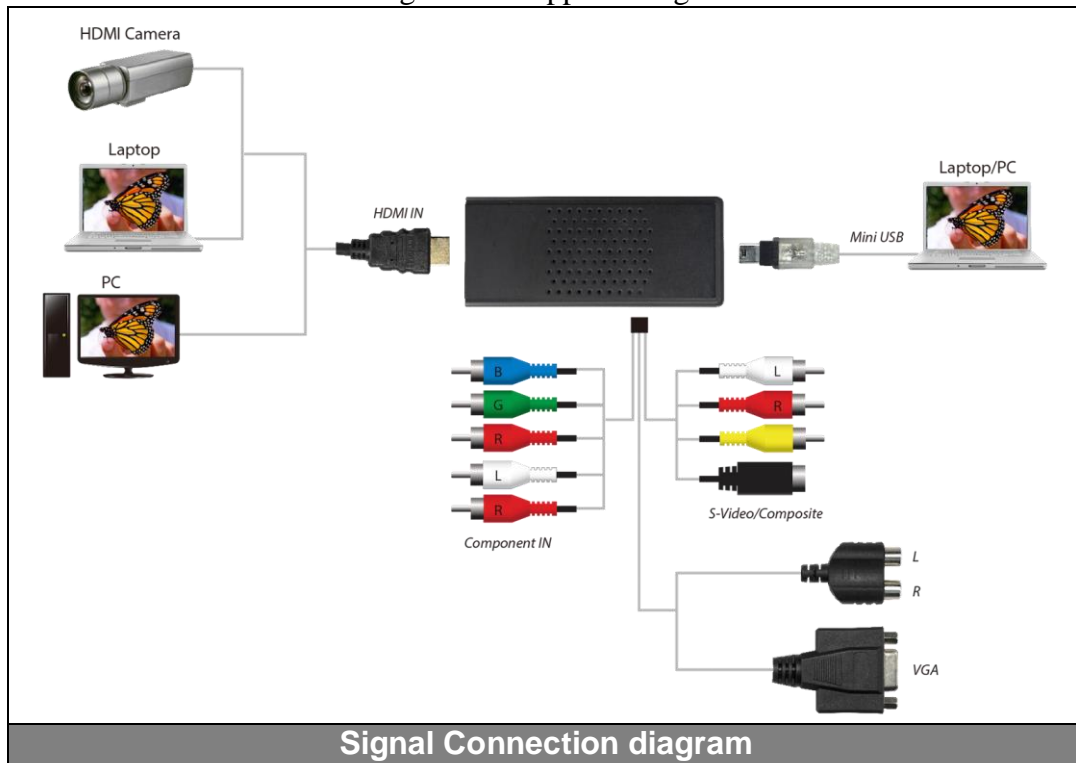
## 2. HARDWARE INSTALLATION

### 2.1. Package Contents

Item	Amount
PD5A0 HDV	1
USB cable	1(Optional)
HDMI cable	1(Optional)
YPbPr breakout cable	1(Optional)
VGA breakout cable	1(Optional)
AV/S breakout cable	1(Optional)

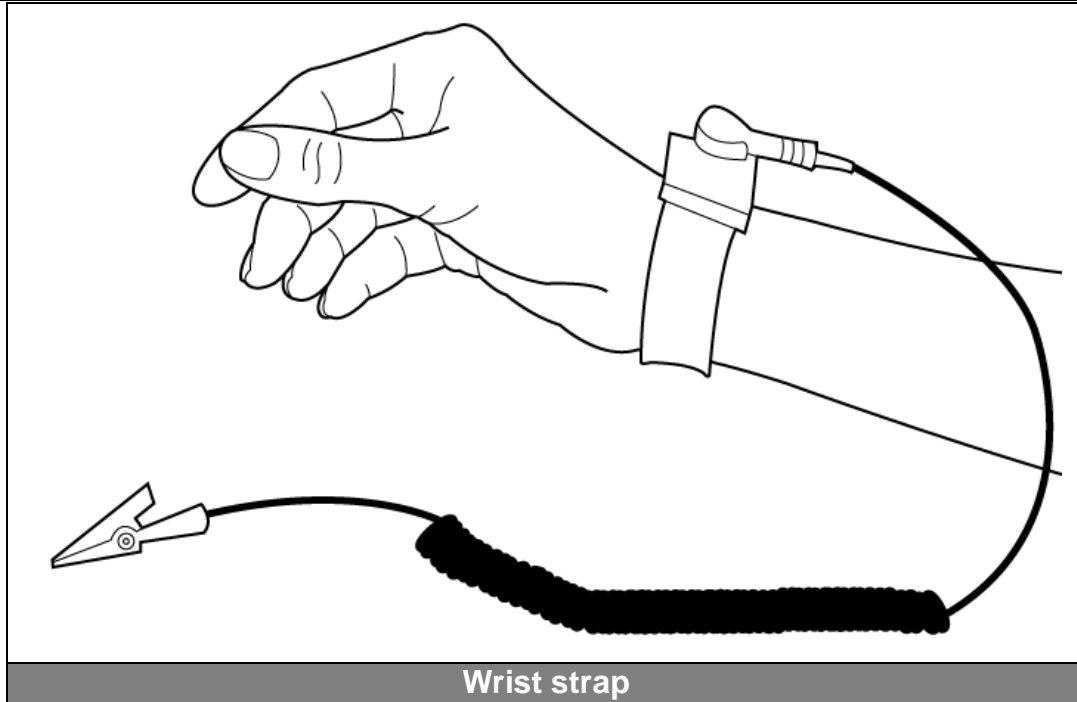
### 2.2. Connection Diagram

Figure below is the connection diagram for supported signal and interface.



### 2.3. Precaution

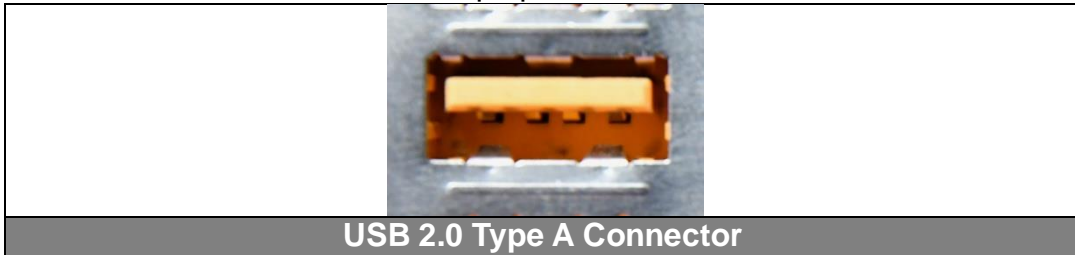
Before proceed, make sure touch a safely grounded object or metal object before touching the device.



Please follow below chapter for installation operations

#### 2.4. USB 2.0 Dongle

- Connect USB2.0 cable to PC/Laptop



- Connect signal source

### 3. SOFTWARE INSTALLATION (Standard device)

#### 3.1. Support OS

Windows based system	Windows XP	Support
	Windows Vista	Support
	Windows 7	Support
	Windows 8/8.1	Support
	Windows 10	Support
Linux based system	Linux 2.6.14 or Higher	Support

#### 3.2. Driver Installation

After install the device and reboot the PC/notebook, the “Windows Found New Hardware Wizard” will appear and detect the device. Please click “Cancel” to exit the Wizard, and implement installation program to install the device driver and application.

- Please click on the driver and follow the instruction to start the installation.
- While the installation is completed, user may check the device driver is installed correctly by following steps
  - Start
  - Control Panel
  - System
  - Device Manager
  - And user can find device from the device manager dialog (see below figure, device number will different by channel numbers).

